



Application

Weigh Bridge, Hopper Scale, Weighing Scale 适用于地磅、料斗秤及各种称重设备

Accessories: Foot, Load Head, Mounting Kits
配件: 支脚、压头、模块



Parameter

Material 材料: Alloy 合金钢, Stainless 不锈钢

Capacity 量程: 50kg-10t

Rated Output 额定输出: 2mV/V, 3mV/V

Non Linearity 非线性: $\pm 0.02\%F.S.$

Hysteresis 滞后: $\pm 0.02\%F.S.$

Repeatability 重复性: $\pm 0.01\%F.S.$

Creep (30min) 蠕变: $\pm 0.02\%F.S.$

Zero Balance 零点输出: $\pm 1.00\%F.S.$

Tem.Effect on Zero 零点温度系数: $\pm 0.02\%F.S./10^{\circ}C$

Tem.Effect on Output 额定输出温度系数: $\pm 0.02\%F.S./10^{\circ}C$

Input Impedance 输入电阻: $385 \pm 10\Omega$

Out Impedance 输出电阻: $350 \pm 3\Omega$

Insulation Impedance 绝缘电阻: $\geq 5000M\Omega$

Excitation Voltage 供桥电压: 10V (DC/AC)

Compensated Tem.Range 补偿温度范围: $-10^{\circ}C \sim +50^{\circ}C$

Service Tem.Range 使用温度范围: $-20^{\circ}C \sim +60^{\circ}C$

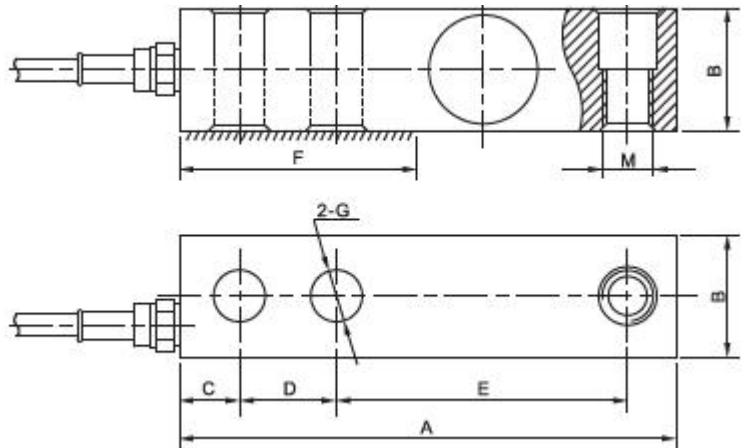
Safe Overload Range 安全过载: $120\%F.S.$

Protection Class 防护等级: IP67, IP68

Cable length 电缆长度: 6m

Wire Code 接线方式: Red 红 (Ex+) Black 黑 (Ex-)
Green 绿 (Sig+) White 白 (Sig-)

Outline Dimensions



| Capacity | | Size mm | | | | | | | Thread M | | N.W. |
|----------|---------|---------|------|------|------|-------|-------|------|----------|--------|------|
| t | Klb | A | B | C | D | E | F | G | mm | Inch | kg |
| 0.05-2 | 0.1-5se | 130.0 | 32.0 | 15.7 | 25.4 | 76.2 | 57.0 | 13.5 | M12*1.75 | 1/2-20 | 1.1 |
| 2.5-5 | 5-10 | 171.5 | 38.0 | 19.1 | 38.1 | 95.3 | 76.0 | 20.0 | M18*1.5 | 3/4-16 | 1.8 |
| 7.5-10 | 15-20 | 222.5 | 50.8 | 25.4 | 50.8 | 123.8 | 102.0 | 27.0 | M24*2 | 1" -14 | 4.0 |

