



## Application

Truck Scale, One-Track Crane Scale, Hopper Scale  
适用于汽车衡、单轨吊秤、料斗秤等

Accessories: Foot, Load Head, Mounting Kits

配件: 支脚、压头、模块



## Parameter

Material 材料: Alloy 合金钢, Stainless 不锈钢

Capacity 量程: 50kg-10t

Rated Output 额定输出: 2mV/V

Non Linearity 非线性:  $\pm 0.02\%F.S.$

Hysteresis 滞后:  $\pm 0.02\%F.S.$

Repeatability 重复性:  $\pm 0.01\%F.S.$

Creep (30min) 蠕变:  $\pm 0.02\%F.S.$

Zero Balance 零点输出:  $\pm 1.00\%F.S.$

Tem.Effect on Zero 零点温度系数:  $\pm 0.02\%F.S./10^{\circ}C$

Tem.Effect on Output 额定输出温度系数:  $\pm 0.02\%F.S./10^{\circ}C$

Input Impedance 输入电阻:  $385 \pm 10\Omega$

Out Impedance 输出电阻:  $350 \pm 3\Omega$

Insulation Impedance 绝缘电阻:  $\geq 5000M\Omega$

Excitation Voltage 供桥电压: 10V (DC/AC)

Compensated Tem.Range 补偿温度范围:  $-10^{\circ}C \sim +50^{\circ}C$

Service Tem.Range 使用温度范围:  $-20^{\circ}C \sim +60^{\circ}C$

Safe Overload Range 安全过载:  $120\%F.S.$

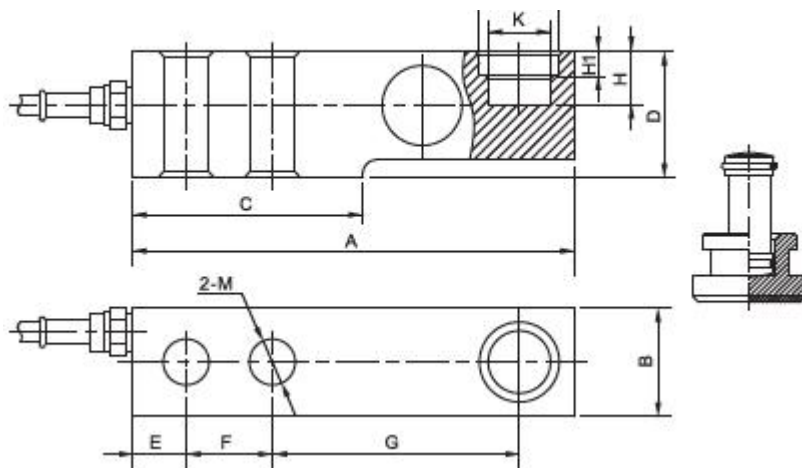
Protection Class 防护等级: IP67, IP68

Cable length 电缆长度: 6m

Wire Code 接线方式: Red 红 (Ex+) Black 黑 (Ex-)

Green 绿 (Sig+) White 白 (Sig-)

## Outline Dimensions



Capacity	Size (mm)												N.W. kg
	t	A	B	C	D	E	F	G	H	H1	J	K	
0.5-2	203.0	37.0	95.0	43.0	19.0	64.0	98.0	30.0	8.0	32.0	16.0	13.0	1.2
5	235.0	48.0	110.0	52.0	23.0	66.0	124.0	30.0	12.0	38.0	22.0	21.0	4.0
10	279.0	60.0	133.0	67.0	25.0	82.0	140.0	20.0	8.5	48.0	32.0	28.0	7.0
20	318.0	70.0	153.0	82.5	32.0	89.0	159.0	25.0	10.0	54.0	38.0	34.0	9.5

