



Parameter

Material 材料: Alloy 合金钢, Stainless 不锈钢
 Capacity 量程: 100kg-20t
 Rated Output 额定输出: 2mV/V, 3mV/V
 Non Linearity 非线性: $\pm 0.02\%F.S.$
 Hysteresis 滞后: $\pm 0.02\%F.S.$
 Repeatability 重复性: $\pm 0.01\%F.S.$
 Creep (30min) 蠕变: $\pm 0.02\%F.S.$
 Zero Balance 零点输出: $\pm 1.00\%F.S.$
 Tem.Effect on Zero 零点温度系数: $\pm 0.02\%F.S./10^{\circ}C$
 Tem.Effect on Output 额定输出温度系数: $\pm 0.02\%F.S./10^{\circ}C$

Application

Z structure for over load protection

Z 型结构防过载保护

Electro-Mechanical Scale, Crane Scale, Hopper Scale, and Special Designed Scales

适用于机电结合秤、吊钩秤、料斗秤及各种专用秤

Accessories: Rod End Bearing

配件: 关节轴承

Input Impedance 输入电阻: $385 \pm 10\Omega$

Out Impedance 输出电阻: $350 \pm 3\Omega$

Insulation Impedance 绝缘电阻: $\geq 5000M\Omega$

Excitation Voltage 供桥电压: 10V (DC/AC)

Compensated Tem.Range 补偿温度范围: $-10^{\circ}C \sim +50^{\circ}C$

Service Tem.Range 使用温度范围: $-20^{\circ}C \sim +60^{\circ}C$

Safe Overload Range 安全过载: $120\%F.S.$

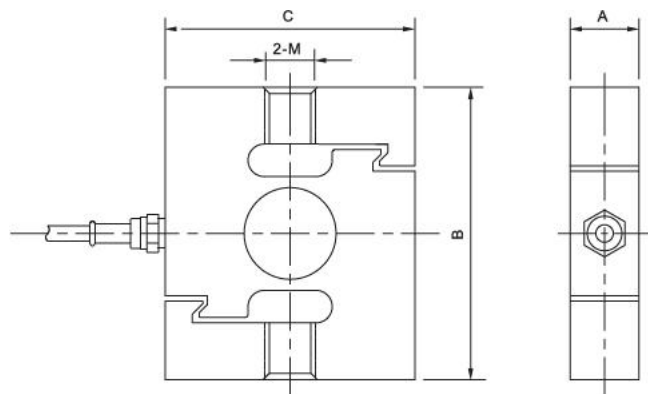
Protection Class 防护等级: IP67, IP68

Cable length 电缆长度: 5m

Wire Code 接线方式: Red 红 (Ex+) Black 黑 (Ex-)

Green 绿 (Sig+) White 白 (Sig-)

Outline Dimensions



Capacity		Size mm			Thread		N.W.
Klb	t	A	B	C	Metric	Inch	kg
0.25-1.5	0.1-0.75	19.1	80.0	70.0	M12*1.75	1/2-20	0.5
2-3	1-1.5se	25.4	80.0	70.0	M12*1.75	1/2-20	1.0
5-10	1.5le-5	25.4	108.0	92.0	M18*1.5	3/4-16	1.3
15	7.5	32.0	140.0	100.0	M24*2	1-14	2.0
20	10	51.0	178.0	130.0	M30*2	1 $\frac{1}{4}$ -12	8.0
40	20	60.0	190.0	160.0	M39*2	1 $\frac{1}{2}$ -12	12.0

