

Application

Truck Scale, Railway Scale, Hopper Scale, Special Scales

适用于汽车衡、轨道衡、料斗秤及各种专用衡器



Parameter

Material 材料: Alloy 合金钢, Stainless 不锈钢

Capacity 量程: 1Klb-50Klb

Rated Output 额定输出: 3mV/V

Non Linearity 非线性: $\pm 0.03\%F.S.$

Hysteresis 滞后: $\pm 0.03\%F.S.$

Repeatability 重复性: $\pm 0.02\%F.S.$

Creep (30min) 蠕变: $\pm 0.03\%F.S.$

Zero Balance 零点输出: $\pm 1.00\%F.S.$

Tem.Effect on Zero 零点温度系数: $\pm 0.03\%F.S./10^{\circ}C$

Tem.Effect on Output 额定输出温度系数: $\pm 0.03\%F.S./10^{\circ}C$

Input Impedance 输入电阻: $700 \pm 5\Omega$

Out Impedance 输出电阻: $700 \pm 5\Omega$

Insulation Impedance 绝缘电阻: $\geq 5000M\Omega$

Excitation Voltage 供桥电压: 10V (DC/AC)

Compensated Tem.Range 补偿温度范围: $-10^{\circ}C \sim +50^{\circ}C$

Service Tem.Range 使用温度范围: $-20^{\circ}C \sim +60^{\circ}C$

Safe Overload Range 安全过载: $120\%F.S.$

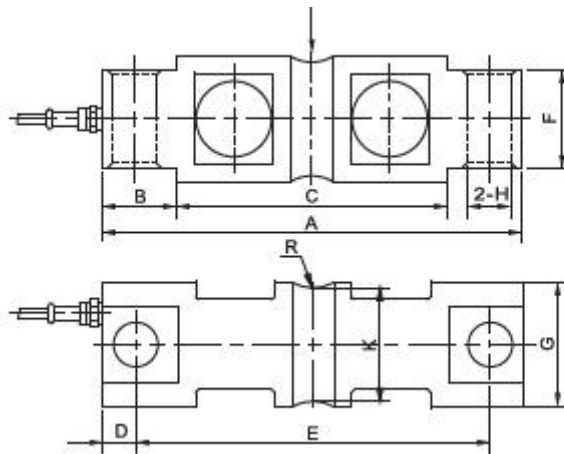
Protection Class 防护等级: IP67

Cable length 电缆长度: 10m

Wire Code 接线方式: Red 红 (Ex+) Black 黑 (Ex-)

Green 绿 (Sig+) White 白 (Sig-)

Outline Dimensions



Capacity	Size (mm)										N.W. kg	
	A	B	C	D	E	F	G	H	K	R		
Klb												
5-10	206.0	36.5	133.0	15.7	174.6	28.5	43.2	16.5	37.6	12.7	2.2	
20	206.0	36.5	133.0	15.7	174.6	28.5	49.5	16.5	37.6	12.7	2.5	
30-60	260.0	47.5	165.0	22.0	216.0	60.2	76.2	27.0	69.3	25.4	7.5	
100	286.0	47.5	190.5	22.4	241.3	63.5	88.0	27.0	82.3	38.1	12.0	
150	286.0	47.5	190.5	22.4	241.3	71.1	89.0	27.0	82.3	38.1	13.5	
200	409.0	77.5	254.0	39.5	330.0	116.7	137.0	40.0	131.0	50.8	35.0	



Huzhou Liheng Electronic Technology Co., Ltd

www.lihengkeji.com